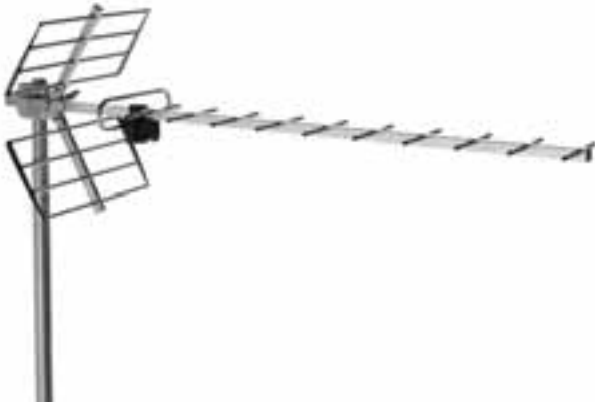


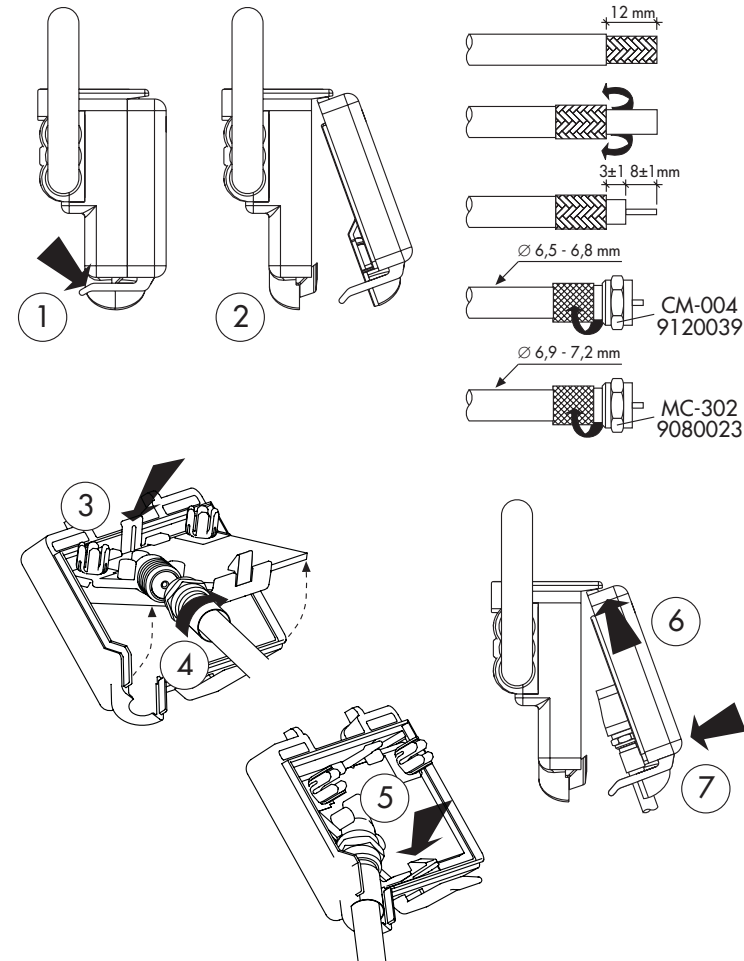


ANTENAS TV BANDA UHF  
TV ANTENNAS UHF BAND  
ANTENNES TV BANDE UHF

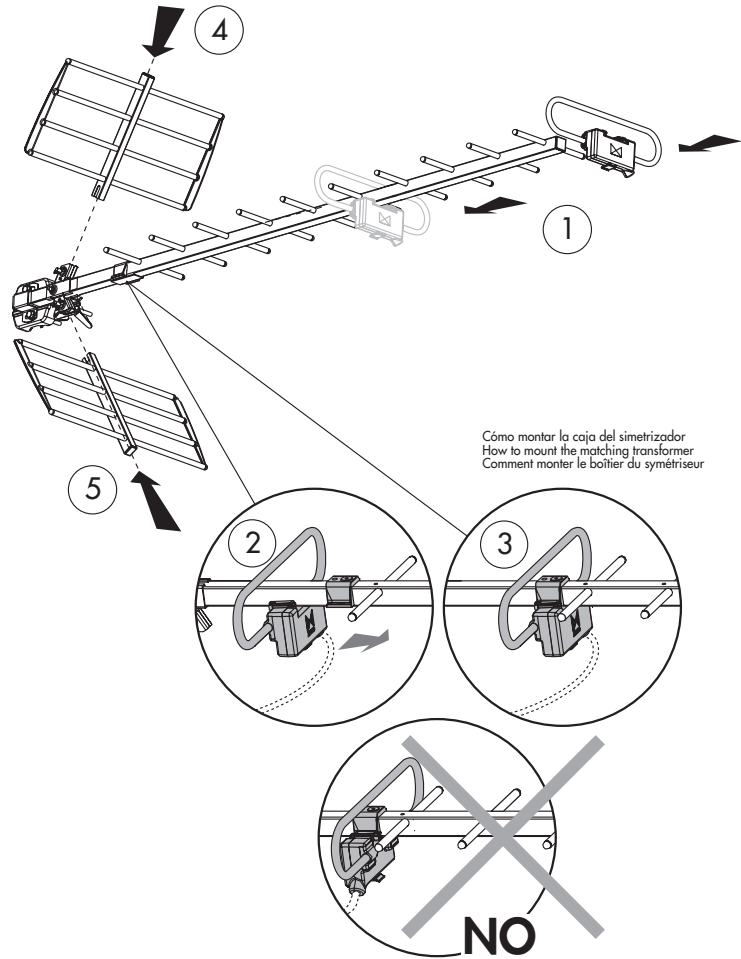


**SERIE 900 SERIES**

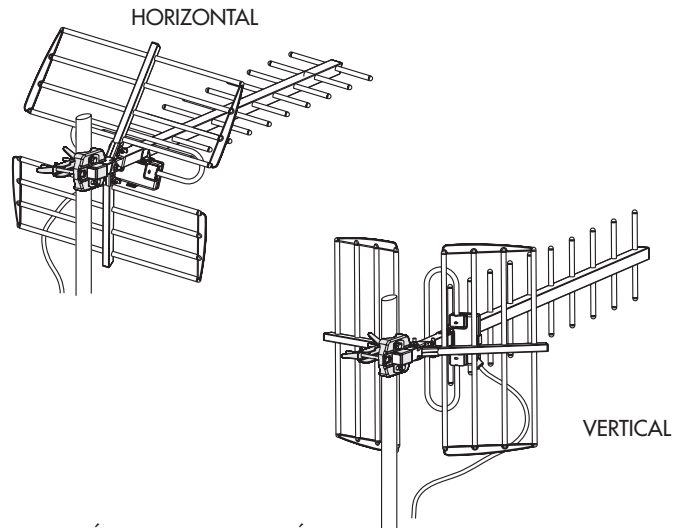
CÓMO CONECTAR EL CABLE COAXIAL EN LA CAJA DEL SIMETRIZADOR  
HOW TO CONNECT THE COAXIAL CABLE TO THE MATCHING TRANSFORMER  
COMMENT RELIER LE CÂBLE COAXIAL DANS LE BOITIER DU SYMÉTRISEUR



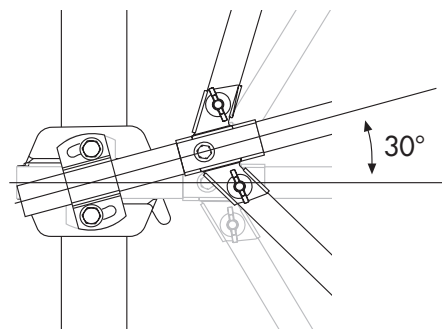
CÓMO MONTAR LA ANTENA BU-119  
HOW TO MOUNT THE ANTENNA BU-119  
COMMENT MONTER L'ANTENNE BU-119



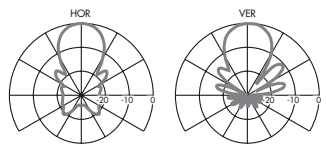
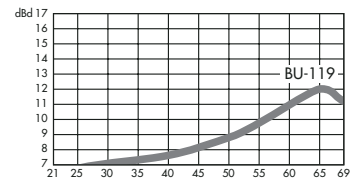
MONTAJE DE LA POLARIDAD HORIZONTAL O VERTICAL  
MOUNTING IN EITHER HORIZONTAL OR VERTICAL POLARITY  
MONTAGE EN HORIZONTAL OU VERTICAL



AJUSTE DEL ÁNGULO DE ELEVACIÓN  
ELEVATION ANGLE ADJUSTMENT  
RÉGLAGE DE L'ANGLE D'ELEVATION



| CÓDIGO-CODE-CODE   | 9000046      |           |
|--|--------------|-----------|
| MODELO-MODEL-MODELE  | BU-119       |           |
| Rango de frecuencias<br>Frequency range<br>Gamme de fréquences       | MHz          | 470 - 862 |
| Canales<br>Channels<br>Canaux  |              | 21-69     |
| Ganancia<br>Gain<br>Gain   | dBd          | 12,5      |
| Relación delante/detrás<br>Front/back ratio<br>Rapport avant/arriere | dB           | 21        |
| Impedancia<br>Impedance<br>Impédance                                 | $\Omega$     | 75        |
| Pérdidas de retorno<br>Return loss<br>Pertes de retour               | dB           | $\geq 10$ |
| Polarización<br>Polarity<br>Polarisation                             |              | HOR / VER |
| Ángulo de apertura<br>Beam width                                     | $^{\circ}$ H | 34        |
| Angle d'ouverture  | $^{\circ}$ V | 35        |
| Longitud<br>Length<br>Longueur                                       | mm           | 1146      |
| Resistencia al viento<br>Wind loading<br>Résistance au vent          | N            | H<br>V    |
|  |              | 40<br>48  |
| Índice de protección<br>Protection index<br>Indice de protection     |              | IP 53     |



Todas las antenas incorporan simetrizador.  
All antennas supplied with matching transformer.  
Toutes les antennes ont un symétriseur.

## DECLARATION OF CONFORMITY

according to EN ISO/IEC 17050-1:2004



**Manufacturer's Name:** ALCAD, S.A.  
**Manufacturer's Address:** Pol. Ind. Arreche-Ugalde, 1  
 Apdo. 455  
 20305 IRUN (Guipúzcoa)  
 SPAIN

declares that the product  
**Product Name:** 900 Series: ANTENNAS  
**Model Number(s):** BU-119

**Product Option(s):** INCLUDING ALL OPTIONS  
 is in conformity with:  
 Safety: EN 50083-1:1993

**Supplementary Information:**  
 The product herewith complies with the requirements of the Low Voltage Directive 2006/95/EC and the EMC Directive 2004/108/EC .

Note: to comply with these directives, do not use the products without covers and operate the system as specified.



Irún, 28-08-07 Date  
 Anton Galarza / General Manager

Especificaciones sujetas a modificación sin previo aviso  
 Specifications subject to modifications without prior notice  
 Les spécifications sont soumises à de possible modifications sans avis préalable



**ALCAD, S.A.**  
 Tel. 943 63 96 60  
 Fax 943 63 92 66  
 Int. Tel. +34 - 943 63 96 60  
 info@alcad.net  
 Apdo. 455 - Pol. Ind. Arreche-Ugalde,1  
 20305 IRUN - Spain  
[www.alcad.net](http://www.alcad.net)

**FRANCE** - Hendaye  
 Tel. 00 34 - 943 63 96 60  
**GERMANY** - Munich  
 Tel. 089 55 26 480  
**CZECH REPUBLIC** - Ostrovačice  
 Tel. 546 427 063  
**UNITED ARAB EMIRATES** - Dubai  
 Tel. 971 4 887 19 50



Cod. 2633070 - Rev. 03